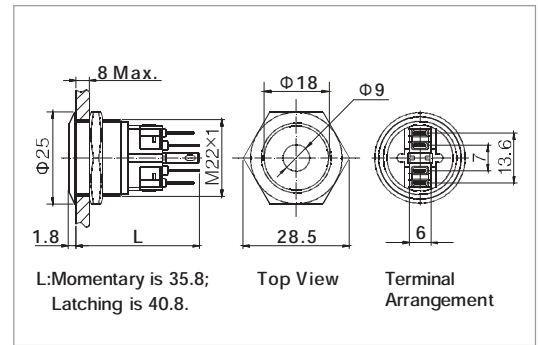


Anti-vandal dot illuminated push button



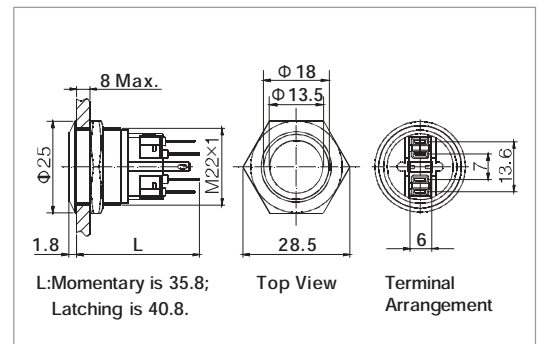
- ⊙ Φ 22mm Diameter
- ⊙ Switch Rating: 5A/250VAC
- ⊙ Contact Configuration:1NO1NC
- ⊙ Operation Type: Momentary/Latching
- ⊙ The Crust Material: Stainless Steel
- ⊙ Dot Illuminated
- ⊙ IP Degree: IP65, IK10



Anti-vandal ring illuminated push button



- ⊙ Φ 22mm Diameter
- ⊙ Switch Rating: 5A/250VAC
- ⊙ Contact Configuration:1NO1NC
- ⊙ Operation Type: Momentary/Latching
- ⊙ The Crust Material: Stainless Steel
- ⊙ Ring Illuminated
- ⊙ IP Degree: Ip65, IK10



Specification	GQ22-11 ■D/△/▲	GQ22-11 ■E/△/▲
The Front Shape	Flat Round	Flat Round
Terminal Type	Pin Terminal(2.8×0.5mm)	Pin Terminal(2.8×0.5mm)
Switching	Za(double-break fast-motion changeover contact)	Za(double-break fast-motion changeover contact)
Max. Switch Rating	Ith:5A Ui:250VAC	Ith:5A Ui:250VAC
Contact Resistance	≤50mΩ	≤50mΩ
Insulation Resistance	≥1000MΩ	≥1000MΩ
Dielectric Intensity	2000VAC	2000VAC
Operating Temp	-20℃ ~ +55℃	-20℃ ~ +55℃
Mechanical Life	1,000,000 cycles	1,000,000 cycles
Electrical Life	50,000 cycles	50,000 cycles
Panel Thickness	1 ~ 8mm	1 ~ 8mm
Torque	5 ~ 14Nm	5 ~ 14Nm
Operation Pressure	About 5.5N	About 5.5N
Operation Travel	About 2.5mm	About 2.5mm
IP Degree	IP65,IK10	IP65,IK10
Material	Contact	Silver Alloy
	Button	Stainless Steel
	Body	Stainless Steel
	Base	PA
	RoHS	Made to order
LED	Type	Dot Illuminated(LED)
	Rated Voltage	6V / 12V / 24V / 110V / 220V
Spec.	Color	R G Y O B W
	Life	40000 hours